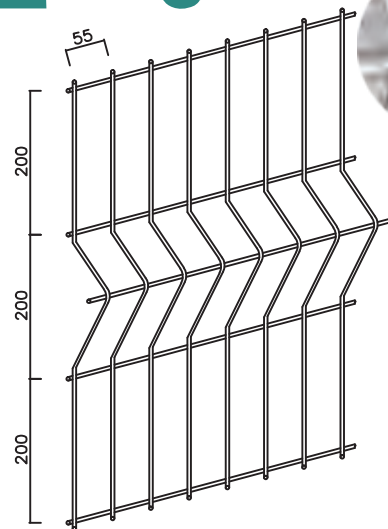
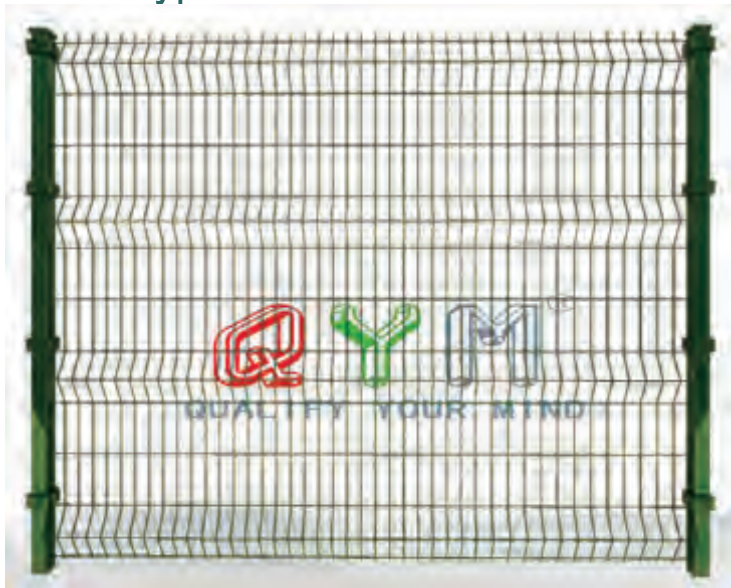


# QYM-Welded Mesh Fence

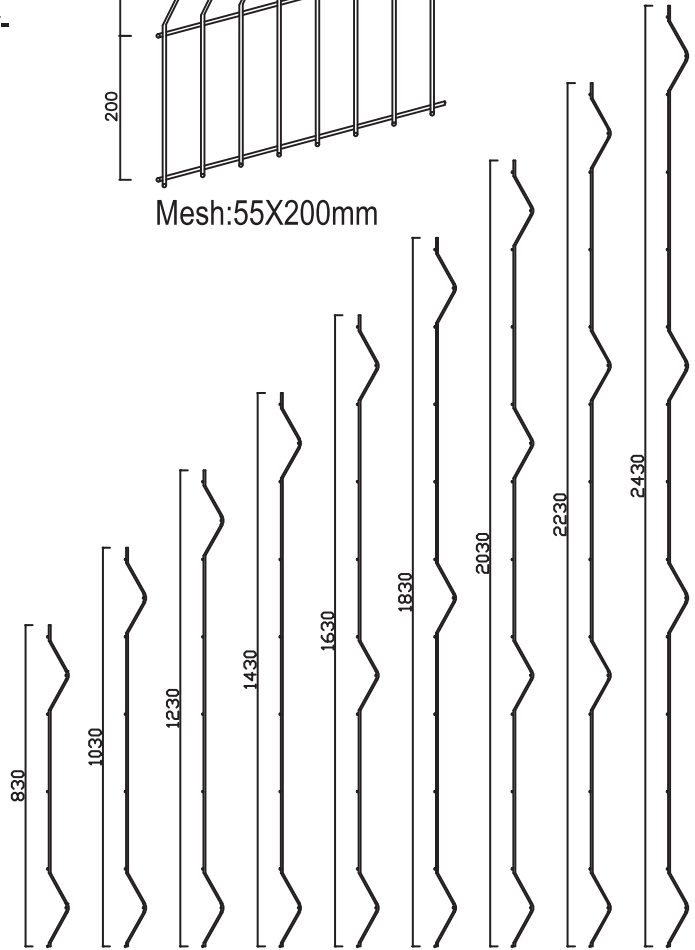
QYM-Welded Mesh Fence is an economical version of the panel system, constructed from a welded mesh panel with longitudinal profiles that forms a rigid fence.

The fence panel is welded with high quality low carbon steel wire, surface treatment by electrostatic spray corrosion over galvanized materials, then connected with post by suitable clips. Because of its simple structure, easy installation, nice appearance, more and more customers regard this product as the preferred common protective fence.

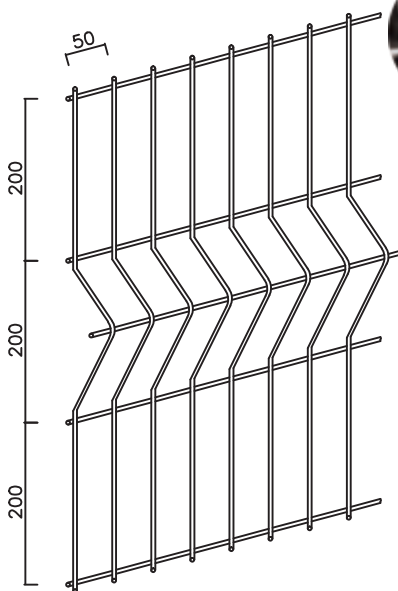
## Panel-Type A



Mesh:55X200mm



Height:830mm—2430mm



Mesh:50X200mm

Mesh	Wire Thickness	Surface Treatment	Panel Width	Folds NOS.	Height
50x200mm or 55x200mm	4.50mm or 5.00mm	Galvanized and Electrostatic polyester powder coated or PVC coated	2.50m	2	830mm
				2	1030mm
				2	1230mm
				2	1430mm
				3	1630mm
				3	1830mm
				4	2030mm
				4	2230mm
				4	2430mm

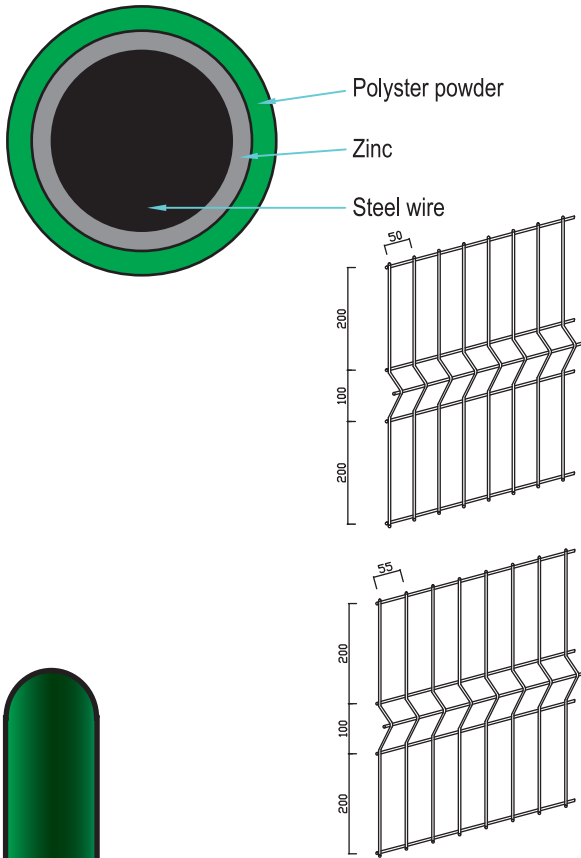
\* Steel Material:Q195-Q235

\* Color:Dark green(RAL6005),other RAL colors,also available as request,uv available.

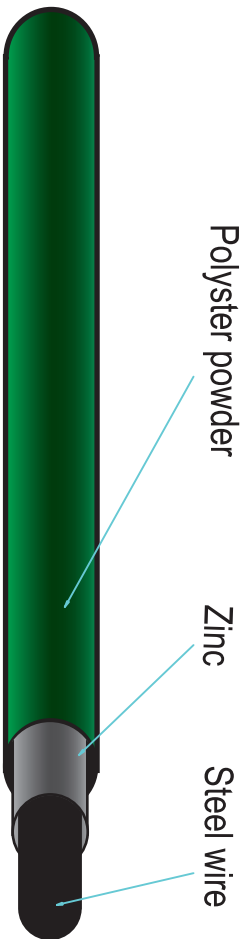


10 YEAR WARRANTY

# QYM-Welded Mesh Fence



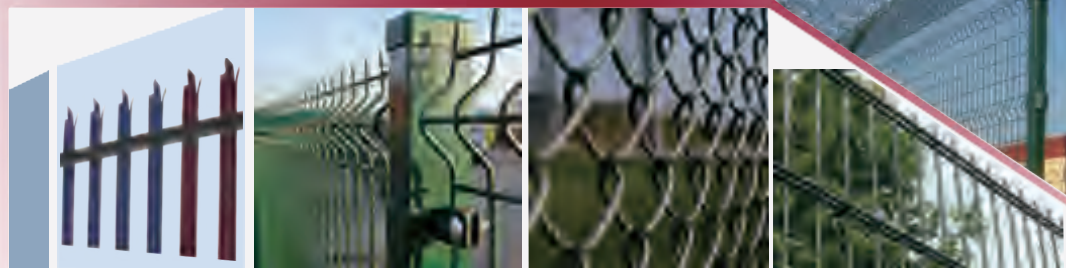
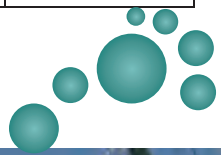
## Panel-Type B



Mesh	Wire Thickness	Surface Treatment	Panel Width	Folds NOS.	Height
50x200mm and 50x100mm in folds or 55x200mm and 55x100mm in folds	4.50mm or 5.00mm	Galvanized and Electrostatic polyester Powder coated or PVC coated	2.50m	2	1030mm
				2	1230mm
				3	1530mm
				3	1730mm
				4	2030mm

\* Steel Material: Q195-Q235

\* Color: Dark green (RAL6005), other RAL colors, also available as request, uv available.



# QYM-Welded Mesh Fence

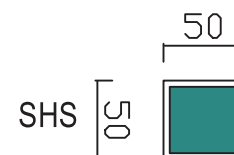
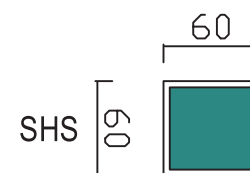


## Post-Type A (SHS Tube)

Profile	Wall Thickness	Surface Treatment	Length	Base Plate	Rain hat
50x50mm	1.50mm	Galvanized and Electrostatic polyester powder coated	On the basis of panel height	Available	Plastic or Metal
60x60mm	4.00mm				

Steel Material:Q195—Q235

Color:Dark green(RAL6005),other RAL colors,also available as request , uv available.

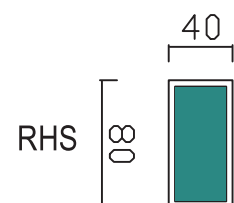
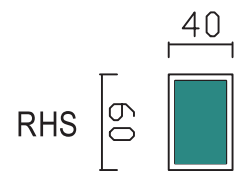


## Post-Type B (RHS Tube)

Profile	Wall Thickness	Surface Treatment	Length	Base Plate	Rain hat
60x40mm	1.50mm	Galvanized and Electrostatic polyester powder coated	On the basis of panel height	Available	Plastic or Metal
80x40mm	4.00mm				

Steel Material:Q195—Q235

Color:Dark green(RAL6005),other RAL colors,also available as request,uv available.

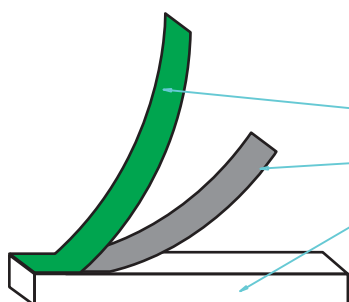


## Post-Type C(Peach Post)

Steel Material:Q195—Q235

Color:Dark green(RAL6005), other RAL colors,also available as request,uv available.

Profile	Wall Thickness	Surface Treatment	Length	Base Plate	Rain hat
50x70mm	1.20mm or 1.50mm	Galvanized and Electrostatic polyester powder coated	On the basis of panel height	Available	Plastic
60x90mm					
70x100mm					



Polyster powder layer

Zinc layer

Post(raw material)



## Post-Type D(Round pipe)

Steel Material:Q195—Q235

Color:Dark green(RAL6005), other RAL colors,also available as request,uv available.

Profile	Wall Thickness	Surface Treatment	Length	Base Plate	Rain hat
Φ 48	1.50mm - 3.20mm	Galvanized and Electrostatic polyester powder coated	On the basis of panel height	Available	Plastic or Metal
Φ 60					
Φ 75					

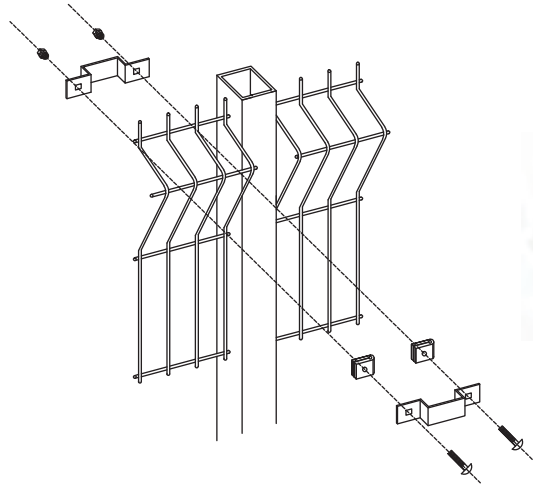
### Variations for post:

In addition to the standard posts many variations are available to accommodate site requirements:

- alternative sections
- wall fixing plates, cranked posts or base plate
- cranked or straight extensions for barbed or razor wire



# QYM-Welded Mesh Fence



## Fittings....

The fittings could be plastic or metal materials:

- 1.Metal claw
- 2.Metal clamp
- 3.Anti theftproof bolts & nuts
- 4.Washer
- 5.Plastic clips(ABS Material)

