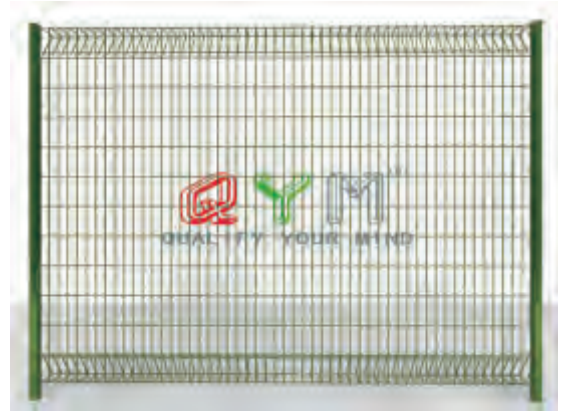


# QYM-Rolltop Fence



QYM-Rolltop Fence incorporates user friendly top and bottom "trigonal" edges to give enhanced safety and rigidity to the fence. Recommended for use in parks, schools, playgrounds and sports stadiums, utilities.



## Panel

The panels are 3000mm wide and the heights range from 900 to 1800mm. The panels have a unique and "user friendly" closed beam section located along the top and bottom edge of the panel. With no sharp or raw edges, Roll Top panels are suitable where safety is a consideration.



Mesh	Wire Thickness	Surface Treatment	Panel Width	Folds NOS.	Height
50x150mm or 55x150mm	4.00mm	Galvanized and Electrostatic polyester powder coated or hot dipped galvanized	3.00 m	2	900mm
	4.50mm			2	1200mm
	5.00mm			2	1500mm
	6.00mm			2	1800mm

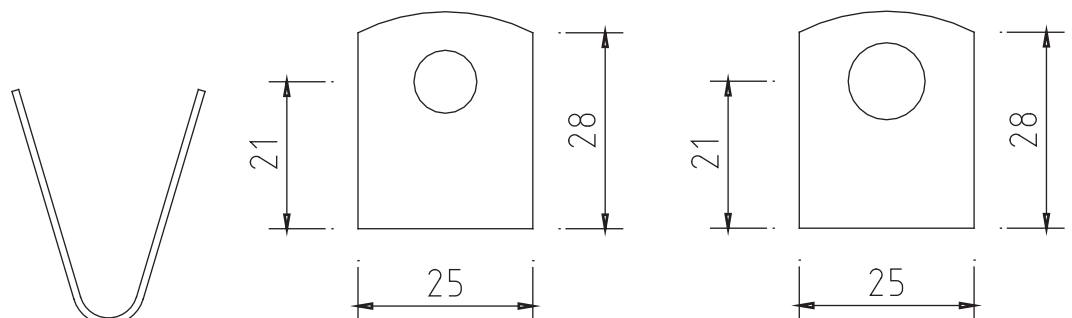
## Post- Round profile

Mesh	Wire Thickness	Surface Treatment	Holes	Height
48mm or 60mm	1.50mm 2.00mm 2.50mm	Galvanized and Electrostatic polyester powder coated or hot dipped galvanized	With several holes drilled on itself	According to the panel height



## Fittings...

Use metal clips ,the design as follows.



10 YEAR WARRANTY