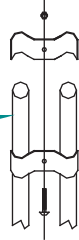


# QYM-Temporary Fence



QYM-Temporary Fence, also called portable fence, is convenient both in installation and movement, which is a main feature of it. The temporary fence is widely used in construction sites, temporary protection, major sports events or activities, temporary isolation, quarantine sation with the airport, a large playground and so on.



## Panel-Type A(Mesh Infilled)



Frame	Mesh	Wire Thickness	Surface Treatment	Panel Width	Height
32x1.5mm 42x1.5mm 48x1.5mm	60x150mm	3.0mm	Galvanized and Electrostatic polyester powder coated or hot dipped galvanized after welding	2.50m	1800mm
	60x200mm	3.5mm			3.00m
	75x75mm	3.8mm		2400mm	
	75x200mm	4.0mm			
	75x300mm				
100x300mm					

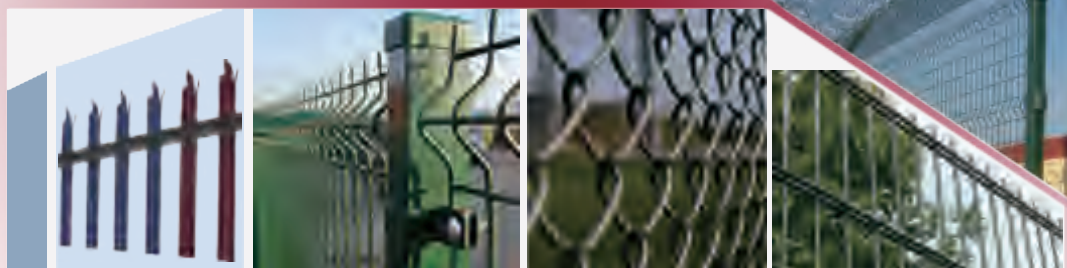
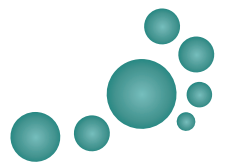
## Base

Plastic base block with cement casting before putting the fence.



## Clamp

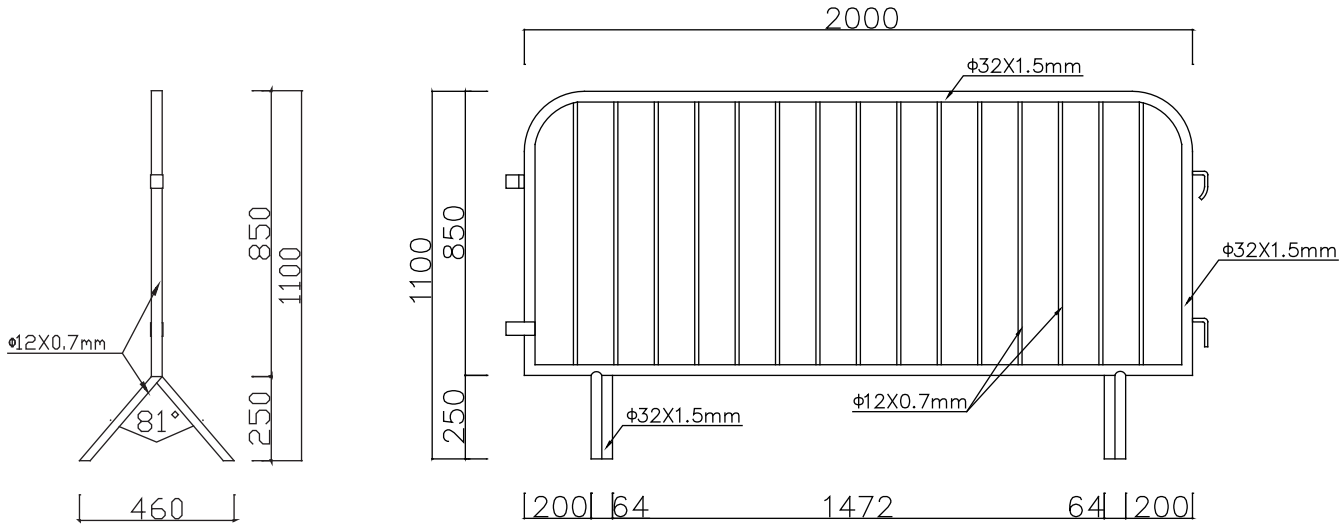
Metal clamp for connecting the panels.



# QYM-Temporary Fence



## Panel-Type B(Pipe infilled)



Frame	Infilled Pipe	Foot	Surface Treatment	Panel Width	Height
32x1.5mm 42x1.5mm 48x1.5mm	12x0.7mm 14x1.0mm 16x1.0mm 20x1.2mm 25x1.2mm	Welded on the frame or removable	Galvanized and Electrostatic polyester powder coated or hot dipped galvanized	2.00m 2.50m	1100mm 1250mm 1500mm

## Connection



## Alternative offer for the foot

